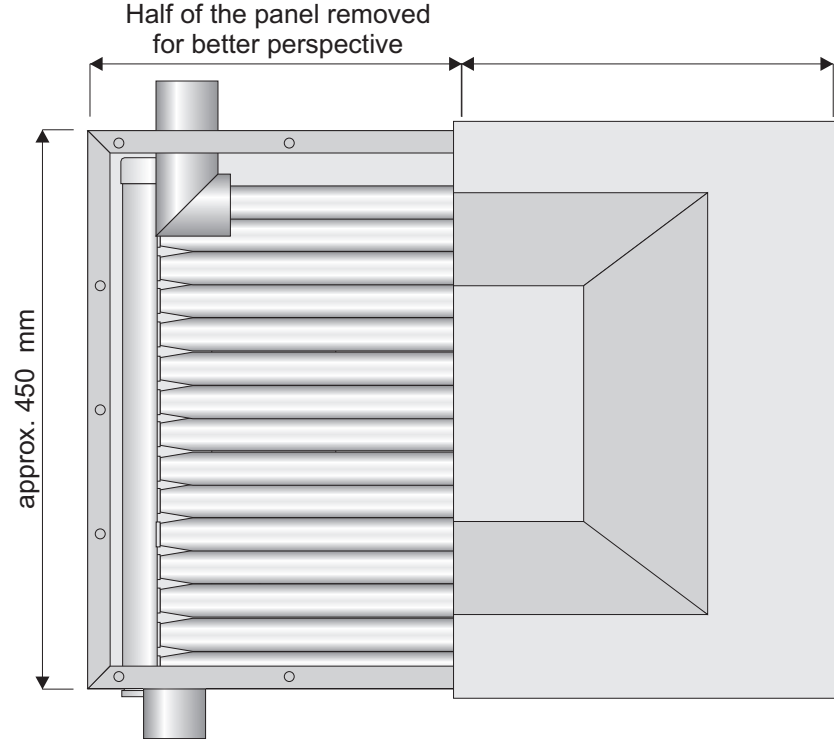
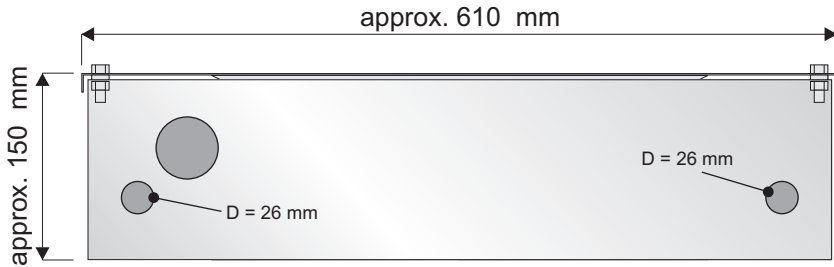


Datasheet - FERNETT Wastewater Heat Exchanger Type WTD-1



<i>Technical Data</i>			
Dimensions:	610 x 500 x 150 mm		
Weight:	approx. 33 lb (15 kg)		
Material:	Casing made of Stainless Steel V2A, 1.4301		
Connections:	Wastewater IN	---	DN50
	Wastewater OUT	---	DN50
	Fresh water IN	---	½ Inch Threaded Pipe
	Fresh water OUT	---	½ Inch Threaded Pipe
Construction	Removeable Panels (for Inspection)		